

InteliVision 5



Order code: INTELIVISION 5

Controller Colour Display Unit

Datasheet

Product description

InteliVision 5 is an 5.7" TFT industrial colour display equipped with configurable active buttons. It is intended for localized visualisation and control (in combination with a ComAp controller).

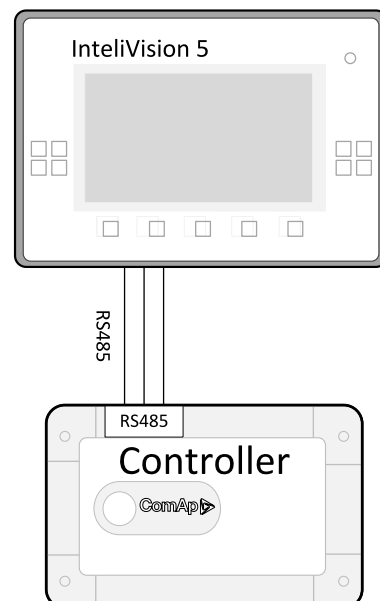
Key features

- ▶ 5,7" Colour TFT Display with a resolution of 320 × 240 pixels.
- ▶ Plug and play operation (auto configuration based on controller application).
- ▶ Direct connection to the controller (converters not needed).
- ▶ Communication connection via RS-485.
- ▶ Configurable active buttons.
- ▶ Same language support as the controller including graphic languages.
- ▶ Graphical editor for screen configuration.
- ▶ IP65 front seal.
- ▶ Operating temperature: – 40 to + 70°C.

Related products

- ▶ InteliSys Gas
- ▶ InteliSys^{NTC} BaseBox
- ▶ InteliGen^{NTC} BaseBox
- ▶ InteliMains^{NTC} BaseBox
- ▶ InteliSys^{NTC} BaseBox

Application overview



Technical data

Power supply

Power supply range	8 - 36 V DC
Consumption	0,7 A / 8 VDC

Interface and operating conditions

Protection - Front / Rear	IP65
Operating Temp.	-40 °C / +70 °C

Interfaces

RS-485	Galvanic Isolation Terminating resistor - DIP switch
--------	--

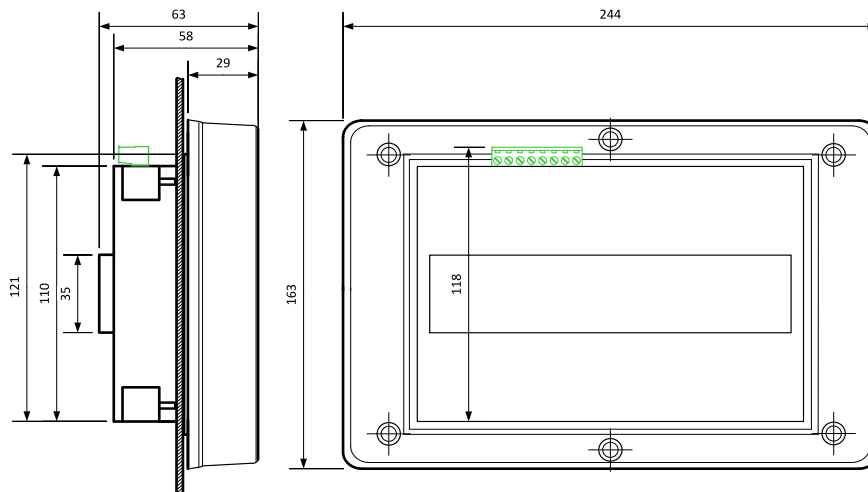
Screen specifications

Type	TFT
Size	5,7"
Resolution	320 - 240 px
Front Panel Dimensions	245 x 164 mm

Related products

Product	Description	Order code
InteliSys Gas	Industrial grade controller for gas gen-set based CHPs and power generation applications	I2GASXXBAB
InteliSys ^{NTC} BaseBox	Premium Parallel Gen-set Controller	IS-NTC-BB
InteliGen ^{NTC} BaseBox	Complex Parallel Gen-set Controller	IG-NTC-BB
InteliMains ^{NTC} BaseBox	Mains Supervision Controller Base Unit	IM-NTC-BB
InteliSys ^{NTC} Hybrid	Hybrid system controller	IS-NTC HYBRID

Dimensions and mounting



Certificates and standards

<ul style="list-style-type: none"> ▶ EN 60068-2-6 ed.2:2008 ▶ EN 60068-2-27 ed.2:2010 	<ul style="list-style-type: none"> ▶ EN 60068-2-30, May 2000 ▶ EN 60068-2-64 ▶ EN 61010-1:2003 	
<p>All certificates and standards are available on: https://webstore.iec.ch/</p>		

